

THIS DRAWING IS UNPUBLISHED. RELEASED FOR PUBLICATION
 © COPYRIGHT - By - ALL RIGHTS RESERVED.

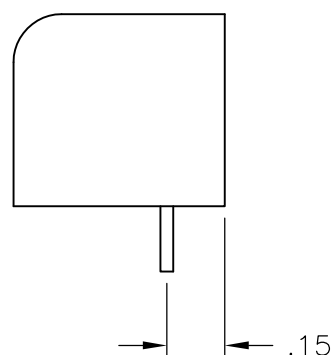
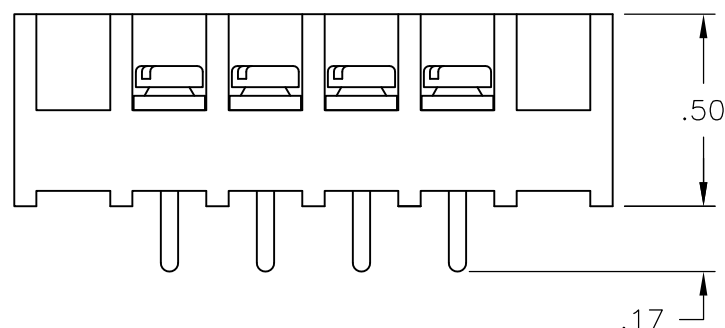
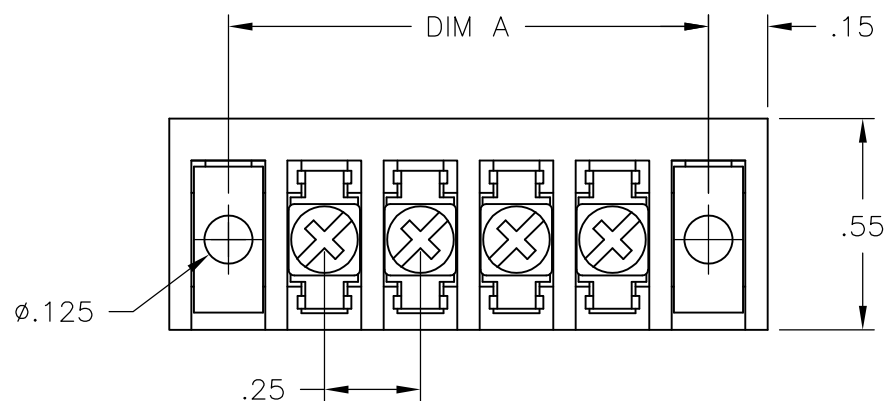
LOC	DIST	REVISIONS					
FT	0	P	LTR	DESCRIPTION	DATE	DWN	APVD
		G		REVISED PER ECO-11-023401	01DEC11	KH	MS

MATERIAL:
 HOUSING: THERMOPLASTIC, UL94V-0, BLACK.
 TERMINAL: BRIGHT TIN PLATED, COPPER ALLOY.
 SCREWS: SEE TABLE.

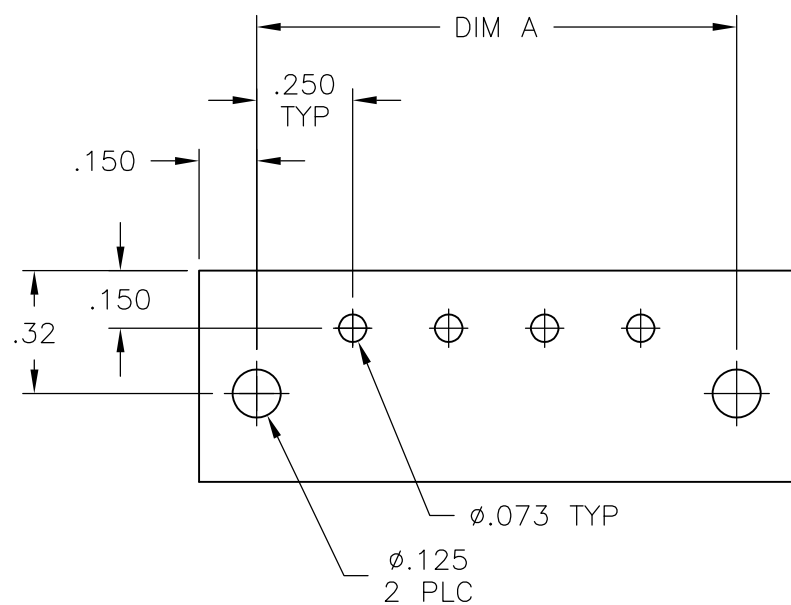
ELECTRICAL:
 RATED CURRENT: 10A.
 OPERATING VOLTAGE: 300V.
 WIRE RANGE: 16-30 AWG.

MECHANICAL:
 PITCH (TERMINAL SPACING): .250"
 OPERATING TEMP.: 120°C MAX.

1 M3 THREAD STAINLESS STEEL SCREWS/
 WASHERS.



M3 THREAD ZINC PLATED STEEL	7.25	28	3PCV-28-008	2-1546011-8
	7.00	27	3PCV-27-008	2-1546011-7
	6.75	26	3PCV-26-008	2-1546011-6
	6.50	25	3PCV-25-008	2-1546011-5
	6.25	24	3PCV-24-008	2-1546011-4
	6.00	23	3PCV-23-008	2-1546011-3
	5.75	22	3PCV-22-008	4-1546119-0
	5.50	21	3PCV-21-008	2-1546011-1
	5.25	20	3PCV-20-008	2-1546011-0
	5.00	19	3PCV-19-008	1-1546011-9
	4.75	18	3PCV-18-008	1-1546011-8
	4.50	17	3PCV-17-008	1-1546011-7
	4.25	16	3PCV-16-008	3-1546119-5
	4.00	15	3PCV-15-008	1-1546011-5
	3.75	14	3PCV-14-008	1-1546011-4
	3.50	13	3PCV-13-008	3-1546119-3
	3.25	12	3PCV-12-008	3-1546119-1
3.00	11	3PCV-11-008	3-1546119-0	
2.75	10	3PCV-10-008	1546011-4	
2.50	9	3PCV-09-008	1546011-9	
2.25	8	3PCV-08-008	1546011-3	
2.00	7	3PCV-07-008	1546011-7	
1.75	6	3PCV-06-008	7-1437647-7	
1.50	5	3PCV-05-008	2-1546011-9	
1.50	5	3PCV-05-008	1546011-5	
1.25	4	3PCV-04-008	1546011-2	
1.00	3	3PCV-03-008	1546011-1	
.75	2	3PCV-02-008	3-1437646-4	
SCREWS	DIM "A"	NO OF POS	CATALOG NUMBER	PART NUMBER



RECOMMENDED PCB LAYOUT

THIS DRAWING IS A CONTROLLED DOCUMENT.		DWN S SCHLEGEL 4/10/03	STE TE Connectivity	
DIMENSIONS: INCHES		CHK S YODER 4/10/03		
TOLERANCES UNLESS OTHERWISE SPECIFIED:		APVD S YODER 4/10/03	NAME	
0 PLC ± -		PRODUCT SPEC	3PCV-XX-008 ASSEMBLY	
1 PLC ± -		APPLICATION SPEC	RESTRICTED TO	
2 PLC ± .02		WEIGHT -	SIZE A3	CAGE CODE 00779
3 PLC ± .010		CUSTOMER DRAWING	DRAWING NO C-3-1437646-4	REV G
4 PLC ± -		SCALE NTS	SHEET 1 OF 1	
ANGLES ± -				
FINISH -				